

1.5 A low drop positive voltage regulator adjustable and fixed

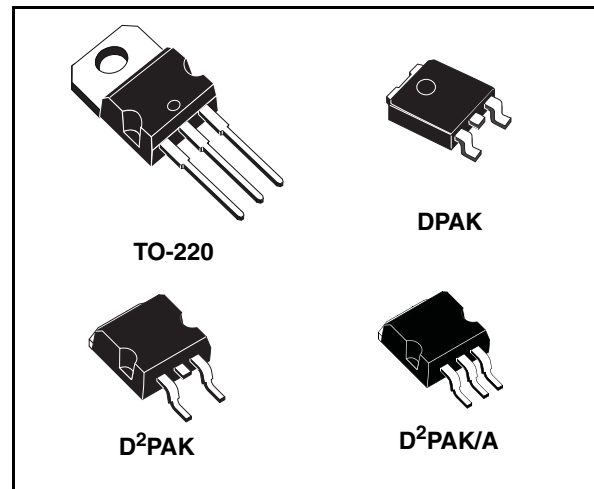
Features

- Typical dropout 1.3 V at 1.5 A
- Three terminal adjustable or fixed output voltage 1.5 V, 1.8 V, 2.5 V, 3.3 V, 5 V, 12 V
- Automotive Grade product: adjustable V_{OUT} only in TO-220 and DPAK packages
- Guaranteed output current up to 1.5A
- Output tolerance $\pm 1\%$ at 25 °C and $\pm 2\%$ in full temperature range
- Internal power and thermal limit
- Wide operating temperature range -40 °C to 125 °C
- Package available: TO-220, D²PAK, D²PAK/A, DPAK
- Pinout compatibility with standard adjustable VREG

Description

The LD1086 is a low drop voltage regulator able to provide up to 1.5 A of output current. Dropout is guaranteed at a maximum of 1.2 V at the maximum output current, decreasing at lower loads. The LD1086 is pin to pin compatible with the older 3-terminal adjustable regulators, but has better performances in term of drop and output tolerance.

A 2.85 V output version is suitable for SCSI-2 active termination. Unlike PNP regulators, where a part of the output current is wasted as quiescent current, the LD1086 quiescent current flows into



the load, so increase efficiency. Only a 10 μ F minimum capacitor is need for stability. The device is supplied in TO-220, D²PAK, D²PAK/A and DPAK. On chip trimming allows the regulator to reach a very tight output voltage tolerance, within $\pm 1\%$ at 25 °C.

The LD1086 is available as Automotive Grade in TO-220 and DPAK packages, for the option of adjustable output voltage whose commercial Part Numbers are shown in the [Table 17](#) (order codes). These devices are qualified according to the specification AEC-Q100 of the Automotive market, in the temperature range -40 °C to 125 °C, and the statistical tests PAT, SYL, SBL are performed.

Table 1. Device summary

Part numbers		
LD1086XX	LD1086XX18	LD1086XX50
LD1086XX12	LD1086XX25	
LD1086XX15	LD1086XX33	

Contents

1	Diagram	5
2	Pin configuration	6
3	Maximum ratings	7
4	Schematic application	8
5	Electrical characteristics	9
6	Typical application	18
7	Package mechanical data	23
8	Order codes	36
9	Revision history	37

List of figures

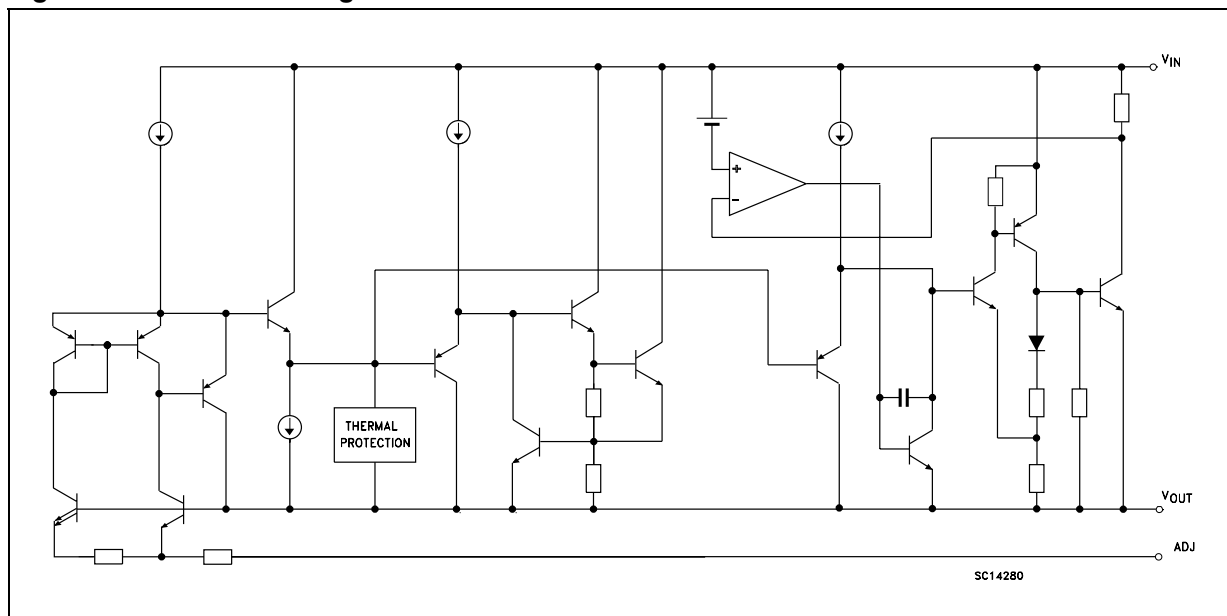
Figure 1.	Schematic diagram	5
Figure 2.	Pin connections (top view)	6
Figure 3.	Application circuit	8
Figure 4.	Output voltage vs temperature	18
Figure 5.	Output voltage vs temperature	18
Figure 6.	Output voltage vs temperature	18
Figure 7.	Short circuit current vs dropout voltage	18
Figure 8.	Line regulation vs temperature	18
Figure 9.	Load regulation vs temperature	18
Figure 10.	Dropout voltage vs temperature	19
Figure 11.	Dropout voltage vs output current.	19
Figure 12.	Adjust pin current vs input voltage	19
Figure 13.	Adjust pin current vs temperature	19
Figure 14.	Adjust pin current vs output current	19
Figure 15.	Quiescent current vs output current	19
Figure 16.	Quiescent current vs input voltage	20
Figure 17.	Supply voltage rejection vs output current	20
Figure 18.	Supply voltage rejection vs frequency	20
Figure 19.	Supply voltage rejection vs temperature.	20
Figure 20.	Minimum load current vs temperature	20
Figure 21.	Stability for adjustable.	20
Figure 22.	Stability for 2.85 V.	21
Figure 23.	Stability for 12 V	21
Figure 24.	Line transient	21
Figure 25.	Line transient	21
Figure 26.	Line transient	21
Figure 27.	Load transient.	21
Figure 28.	Load transient.	22
Figure 29.	Thermal protection	22
Figure 30.	Drawing dimension D ² PAK (type STD-ST)	26
Figure 31.	Drawing dimension D ² PAK (type WOOSEOK-SUBCON.)	27
Figure 32.	D ² PAK footprint recommended data.	29
Figure 33.	Drawing dimension D ² PAK/A (type STD-ST)	30
Figure 34.	Drawing dimension D ² PAK/A (type WOOSEOK-Subcon.)	31
Figure 35.	D ² PAK/A footprint recommended data	33

List of tables

Table 1.	Device summary	1
Table 2.	Absolute maximum ratings	7
Table 3.	Thermal data	7
Table 4.	Electrical characteristics of LD1086#15	9
Table 5.	Electrical characteristics of LD1086#18	10
Table 6.	Electrical characteristics of LD1086#25	11
Table 7.	Electrical characteristics of LD1086#33	12
Table 8.	Electrical characteristics of LD1086#36	13
Table 9.	Electrical characteristics of LD1086#50	14
Table 10.	Electrical characteristics of LD1086#12	15
Table 11.	Electrical characteristics of LD1086#	16
Table 12.	Electrical characteristics of LD1086DTTRY and LD1086VY (Automotive Grade)	17
Table 13.	D ² PAK mechanical data	28
Table 14.	Footprint data	29
Table 15.	D ² PAK/A mechanical data	32
Table 16.	Footprint data	33
Table 17.	Order codes	36
Table 18.	Document revision history	37

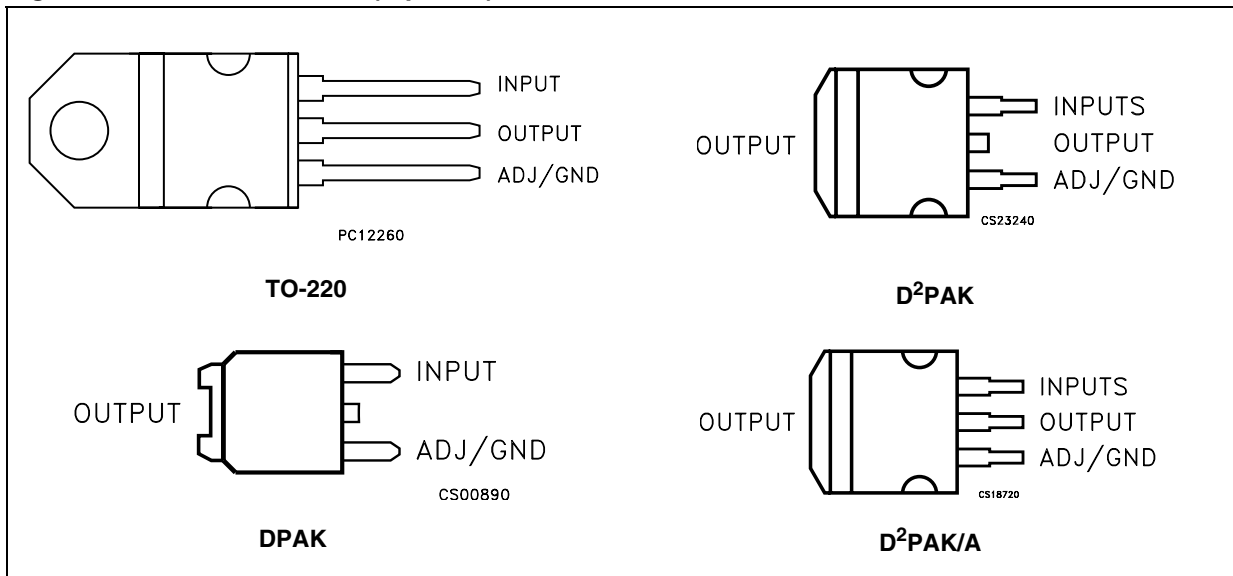
1 Diagram

Figure 1. Schematic diagram



2 Pin configuration

Figure 2. Pin connections (top view)



Note: The TAB is physically connected to the output (this is valid for the TO-220 package too).

3 Maximum ratings

Table 2. Absolute maximum ratings

Symbol	Parameter	Value	Unit
V_I	DC input voltage	30	V
I_O	Output current	Internally Limited	mA
P_D	Power dissipation	Internally Limited	mW
T_{STG}	Storage temperature range	-55 to +150	°C
T_{OP}	Operating junction temperature range	-40 to +125	°C

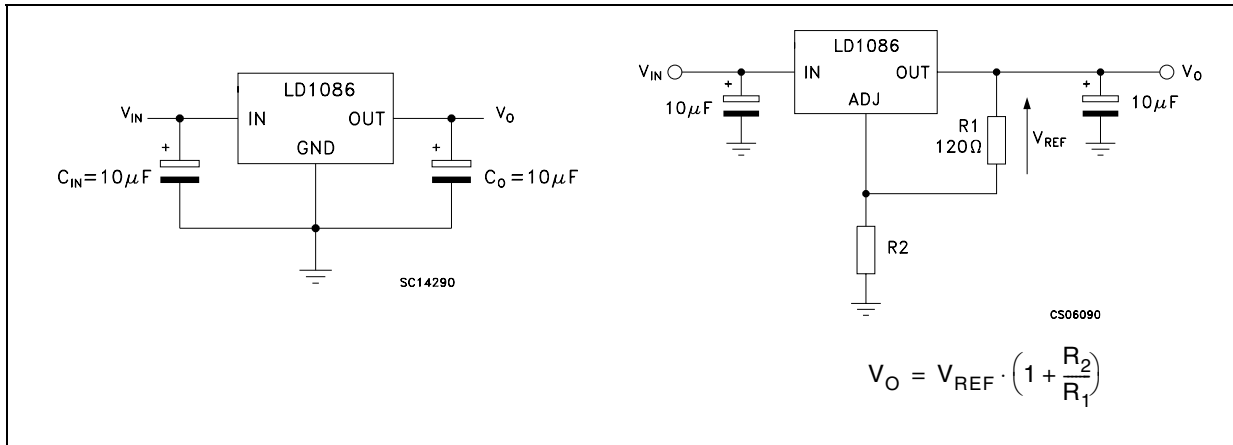
Note: Absolute maximum ratings are those values beyond which damage to the device may occur. Functional operation under these condition is not implied.

Table 3. Thermal data

Symbol	Parameter	TO-220	D ² PAK D ² PAK/A	DKPAK	Unit
R_{thJC}	Thermal resistance junction-case	3	3	8	°C/W
R_{thJA}	Thermal resistance junction-ambient	50	62.5		°C/W

4 Schematic application

Figure 3. Application circuit



5 Electrical characteristics

Table 4. Electrical characteristics of LD1086#15
($V_I = 4.5\text{ V}$, $C_I = C_O = 10\ \mu\text{F}$, $T_A = -40\text{ to }125\text{ }^\circ\text{C}$, unless otherwise specified).

Symbol	Parameter	Test condition	Min.	Typ.	Max.	Unit
V_O	Output voltage ⁽¹⁾	$I_O = 0\text{ mA}$, $T_J = 25^\circ\text{C}$	1.485	1.5	1.515	V
		$I_O = 0\text{ to }1.5\text{A}$, $V_I = 3.4\text{ to }30\text{V}$	1.47	1.5	1.53	V
ΔV_O	Line regulation	$I_O = 0\text{ mA}$, $V_I = 3.1\text{ to }18\text{V}$, $T_J = 25^\circ\text{C}$		0.2	4	mV
		$I_O = 0\text{ mA}$, $V_I = 3.1\text{ to }15\text{V}$		0.4	4	mV
ΔV_O	Load regulation	$I_O = 0\text{ to }1.5\text{A}$, $T_J = 25^\circ\text{C}$		0.5	8	mV
		$I_O = 0\text{ to }1.5\text{A}$		1	16	mV
V_d	Dropout voltage	$I_O = 1.5\text{A}$		1.3	1.5	V
I_q	Quiescent current	$V_I \leq 30\text{V}$		5	10	mA
I_{sc}	Short circuit current	$V_I - V_O = 5\text{V}$	1.5	2		A
		$V_I - V_O = 25\text{V}$	0.05	0.02		A
	Thermal regulation	$T_A = 25^\circ\text{C}$, 30ms pulse		0.01	0.04	%/W
SVR	Supply voltage rejection	$f = 120\text{ Hz}$, $C_O = 25\ \mu\text{F}$, $I_O = 1.5\text{A}$ $V_I = 6.5 \pm 3\text{V}$	60	82		dB
eN	RMS Output noise voltage (% of V_O)	$T_A = 25^\circ\text{C}$, $f = 10\text{Hz to }10\text{kHz}$		0.003		%
S	Temperature stability			0.5		%
S	Long term stability	$T_A = 125^\circ\text{C}$, 1000Hrs		0.5		%

1. See short-circuit current curve for available output current at fixed dropout.

Table 5. Electrical characteristics of LD1086#18(V_I = 4.8 V, C_I = C_O = 10 μF, T_A = -40 to 125 °C, unless otherwise specified).

Symbol	Parameter	Test condition	Min.	Typ.	Max.	Unit
V _O	Output voltage ⁽¹⁾	I _O = 0 mA, T _J = 25°C	1.782	1.8	1.818	V
		I _O = 0 to 1.5A, V _I = 3.4 to 30V	1.764	1.8	1.836	V
ΔV _O	Line regulation	I _O = 0 mA, V _I = 3.4 to 18V, T _J = 25°C		0.2	4	mV
		I _O = 0 mA, V _I = 3.4 to 15V		0.4	4	mV
ΔV _O	Load regulation	I _O = 0 to 1.5A, T _J = 25°C		0.5	8	mV
		I _O = 0 to 1.5A		1	16	mV
V _d	Dropout voltage	I _O = 1.5A		1.3	1.5	V
I _q	Quiescent current	V _I ≤ 30V		5	10	mA
I _{sc}	Short circuit current	V _I - V _O = 5V	1.5	2		A
		V _I - V _O = 25V	0.05	0.02		A
	Thermal regulation	T _A = 25°C, 30ms pulse		0.01	0.04	%/W
SVR	Supply voltage rejection	f = 120 Hz, C _O = 25 μF, I _O = 1.5A V _I = 6.8 ± 3V	60	82		dB
eN	RMS Output noise voltage (% of V _O)	T _A = 25°C, f = 10Hz to 10kHz		0.003		%
S	Temperature stability			0.5		%
S	Long term stability	T _A = 125°C, 1000Hrs		0.5		%

1. See short-circuit current curve for available output current at fixed dropout.

Table 6. Electrical characteristics of LD1086#25
 ($V_I = 5.5\text{ V}$, $C_I = C_O = 10\ \mu\text{F}$, $T_A = -40\text{ to }125\text{ }^\circ\text{C}$, unless otherwise specified).

Symbol	Parameter	Test condition	Min.	Typ.	Max.	Unit
V_O	Output voltage ⁽¹⁾	$I_O = 0\text{ mA}$, $T_J = 25^\circ\text{C}$	2.475	2.5	2.525	V
		$I_O = 0\text{ to }1.5\text{A}$, $V_I = 4.1\text{ to }30\text{V}$	2.45	2.5	2.55	V
ΔV_O	Line regulation	$I_O = 0\text{ mA}$, $V_I = 4.1\text{ to }18\text{V}$, $T_J = 25^\circ\text{C}$		0.2	4	mV
		$I_O = 0\text{ mA}$, $V_I = 4.1\text{ to }18\text{V}$		0.4	4	mV
ΔV_O	Load regulation	$I_O = 0\text{ to }1.5\text{A}$, $T_J = 25^\circ\text{C}$		0.5	8	mV
		$I_O = 0\text{ to }1.5\text{A}$		1	16	mV
V_d	Dropout voltage	$I_O = 1.5\text{A}$		1.3	1.5	V
I_q	Quiescent current	$V_I \leq 30\text{V}$		5	10	mA
I_{sc}	Short circuit current	$V_I - V_O = 5\text{V}$	1.5	2		A
		$V_I - V_O = 25\text{V}$	0.05	0.2		A
	Thermal regulation	$T_A = 25^\circ\text{C}$, 30ms pulse		0.008	0.04	%/W
SVR	Supply voltage rejection	$f = 120\text{ Hz}$, $C_O = 25\ \mu\text{F}$, $I_O = 1.5\text{A}$ $V_I = 7.5 \pm 3\text{V}$	60	81		dB
eN	RMS Output noise voltage (% of V_O)	$T_A = 25^\circ\text{C}$, $f = 10\text{Hz to }10\text{kHz}$		0.003		%
S	Temperature stability			0.5		%
S	Long term stability	$T_A = 125^\circ\text{C}$, 1000Hrs		0.5		%

1. See short-circuit current curve for available output current at fixed dropout.

Table 7. Electrical characteristics of LD1086#33
 ($V_I = 6.3\text{ V}$, $C_I = C_O = 10\ \mu\text{F}$, $T_A = -40\text{ to }125\text{ }^\circ\text{C}$, unless otherwise specified).

Symbol	Parameter	Test condition	Min.	Typ.	Max.	Unit
V_O	Output voltage ⁽¹⁾	$I_O = 0\text{ mA}$, $T_J = 25^\circ\text{C}$	3.267	3.3	3.333	V
		$I_O = 0\text{ to }1.5\text{A}$, $V_I = 4.9\text{ to }30\text{V}$	3.234	3.3	3.366	V
ΔV_O	Line regulation	$I_O = 0\text{ mA}$, $V_I = 4.9\text{ to }18\text{V}$, $T_J = 25^\circ\text{C}$		0.5	6	mV
		$I_O = 0\text{ mA}$, $V_I = 4.9\text{ to }18\text{V}$		1	6	mV
ΔV_O	Load regulation	$I_O = 0\text{ to }1.5\text{A}$, $T_J = 25^\circ\text{C}$		1	10	mV
		$I_O = 0\text{ to }1.5\text{A}$		7	25	mV
V_d	Dropout voltage	$I_O = 1.5\text{A}$		1.3	1.5	V
I_q	Quiescent current	$V_I \leq 30\text{V}$		5	10	mA
I_{sc}	Short circuit current	$V_I - V_O = 5\text{V}$	1.5	2		A
		$V_I - V_O = 25\text{V}$	0.05	0.2		A
	Thermal regulation	$T_A = 25^\circ\text{C}$, 30ms pulse		0.008	0.04	%/W
SVR	Supply voltage rejection	$f = 120\text{ Hz}$, $C_O = 25\ \mu\text{F}$, $I_O = 1.5\text{A}$ $V_I = 8.3 \pm 3\text{V}$	60	79		dB
eN	RMS Output noise voltage (% of V_O)	$T_A = 25^\circ\text{C}$, $f = 10\text{Hz to }10\text{kHz}$		0.003		%
S	Temperature stability			0.5		%
S	Long term stability	$T_A = 125^\circ\text{C}$, 1000Hrs		0.5		%

1. See short-circuit current curve for available output current at fixed dropout.

Table 8. Electrical characteristics of LD1086#36
 ($V_I = 6.6\text{ V}$, $C_I = C_O = 10\ \mu\text{F}$, $T_A = -40\text{ to }125\text{ }^\circ\text{C}$, unless otherwise specified).

Symbol	Parameter	Test condition	Min.	Typ.	Max.	Unit
V_O	Output voltage ⁽¹⁾	$I_O = 0\text{ mA}$, $T_J = 25^\circ\text{C}$	3.564	3.6	3.636	V
		$I_O = 0\text{ to }1.5\text{A}$, $V_I = 5.2\text{ to }30\text{V}$	3.528	3.6	3.672	V
ΔV_O	Line regulation	$I_O = 0\text{ mA}$, $V_I = 5.2\text{ to }18\text{V}$, $T_J = 25^\circ\text{C}$		0.5	10	mV
		$I_O = 0\text{ mA}$, $V_I = 5.2\text{ to }18\text{V}$		1	10	mV
ΔV_O	Load regulation	$I_O = 0\text{ to }1.5\text{A}$, $T_J = 25^\circ\text{C}$		3	15	mV
		$I_O = 0\text{ to }1.5\text{A}$		7	25	mV
V_d	Dropout voltage	$I_O = 1.5\text{A}$		1.3	1.5	V
I_q	Quiescent current	$V_I \leq 30\text{V}$		5	10	mA
I_{sc}	Short circuit current	$V_I - V_O = 5\text{V}$	1.5	2		A
		$V_I - V_O = 25\text{V}$	0.05	0.2		A
	Thermal regulation	$T_A = 25^\circ\text{C}$, 30ms pulse		0.01	0.04	%/W
SVR	Supply voltage rejection	$f = 120\text{ Hz}$, $C_O = 25\ \mu\text{F}$, $I_O = 1.5\text{A}$ $V_I = 8.6 \pm 3\text{V}$	60	78		dB
eN	RMS Output noise voltage (% of V_O)	$T_A = 25^\circ\text{C}$, $f = 10\text{Hz to }10\text{kHz}$		0.003		%
S	Temperature stability			0.5		%
S	Long term stability	$T_A = 125^\circ\text{C}$, 1000Hrs		0.5		%

1. See short-circuit current curve for available output current at fixed dropout.

Table 9. Electrical characteristics of LD1086#50
 ($V_I = 8\text{ V}$, $C_I = C_O = 10\ \mu\text{F}$, $T_A = -40\text{ to }125\text{ }^\circ\text{C}$, unless otherwise specified).

Symbol	Parameter	Test condition	Min.	Typ.	Max.	Unit
V_O	Output voltage ⁽¹⁾	$I_O = 0\text{ mA}$, $T_J = 25^\circ\text{C}$	4.95	5	5.05	V
		$I_O = 0\text{ to }1.5\text{A}$, $V_I = 6.6\text{ to }30\text{V}$	4.9	5	5.1	V
ΔV_O	Line regulation	$I_O = 0\text{ mA}$, $V_I = 6.6\text{ to }20\text{V}$, $T_J = 25^\circ\text{C}$		0.5	10	mV
		$I_O = 0\text{ mA}$, $V_I = 6.6\text{ to }20\text{V}$		1	10	mV
ΔV_O	Load regulation	$I_O = 0\text{ to }1.5\text{A}$, $T_J = 25^\circ\text{C}$		5	20	mV
		$I_O = 0\text{ to }1.5\text{A}$		10	35	mV
V_d	Dropout voltage	$I_O = 1.5\text{A}$		1.3	1.5	V
I_q	Quiescent current	$V_I \leq 30\text{V}$		5	10	mA
I_{sc}	Short circuit current	$V_I - V_O = 5\text{V}$	1.5	2		A
		$V_I - V_O = 25\text{V}$	0.05	0.2		A
	Thermal regulation	$T_A = 25^\circ\text{C}$, 30ms pulse		0.01	0.04	%/W
SVR	Supply voltage rejection	$f = 120\text{ Hz}$, $C_O = 25\ \mu\text{F}$, $I_O = 1.5\text{A}$ $V_I = 10 \pm 3\text{V}$	60	75		dB
eN	RMS Output noise voltage (% of V_O)	$T_A = 25^\circ\text{C}$, $f = 10\text{Hz to }10\text{kHz}$		0.003		%
S	Temperature stability			0.5		%
S	Long term stability	$T_A = 125^\circ\text{C}$, 1000Hrs		0.5		%

1. See short-circuit current curve for available output current at fixed dropout.

Table 10. Electrical characteristics of LD1086#12
 ($V_I = 15\text{ V}$, $C_I = C_O = 10\ \mu\text{F}$, $T_A = -40\text{ to }125\text{ }^\circ\text{C}$, unless otherwise specified).

Symbol	Parameter	Test condition	Min.	Typ.	Max.	Unit
V_O	Output voltage ⁽¹⁾	$I_O = 0\text{ mA}$, $T_J = 25^\circ\text{C}$	11.88	12	12.12	V
		$I_O = 0\text{ to }1.5\text{A}$, $V_I = 13.8\text{ to }30\text{V}$	11.76	12	12.24	V
ΔV_O	Line regulation	$I_O = 0\text{ mA}$, $V_I = 13.8\text{ to }25\text{V}$, $T_J = 25^\circ\text{C}$		1	25	mV
		$I_O = 0\text{ mA}$, $V_I = 13.8\text{ to }25\text{V}$		2	25	mV
ΔV_O	Load regulation	$I_O = 0\text{ to }1.5\text{A}$, $T_J = 25^\circ\text{C}$		12	36	mV
		$I_O = 0\text{ to }1.5\text{A}$		24	72	mV
V_d	Dropout voltage	$I_O = 1.5\text{A}$		1.3	1.5	V
I_q	Quiescent current	$V_I \leq 30\text{V}$		5	10	mA
I_{sc}	Short circuit current	$V_I - V_O = 5\text{V}$	1.5	2		A
		$V_I - V_O = 25\text{V}$	0.05	0.2		A
	Thermal regulation	$T_A = 25^\circ\text{C}$, 30ms pulse		0.01	0.04	%/W
SVR	Supply voltage rejection	$f = 120\text{ Hz}$, $C_O = 25\ \mu\text{F}$, $I_O = 1.5\text{A}$ $V_I = 17 \pm 3\text{V}$	54	66		dB
eN	RMS Output noise voltage (% of V_O)	$T_A = 25^\circ\text{C}$, $f = 10\text{Hz to }10\text{kHz}$		0.003		%
S	Temperature stability			0.5		%
S	Long term stability	$T_A = 125^\circ\text{C}$, 1000Hrs		0.5		%

1. See short-circuit current curve for available output current at fixed dropout.

Table 11. Electrical characteristics of LD1086#
 ($V_I = 4.25\text{ V}$, $C_I = C_O = 10\ \mu\text{F}$, $T_A = -40\text{ to }125\text{ }^\circ\text{C}$, unless otherwise specified).

Symbol	Parameter	Test condition	Min.	Typ.	Max.	Unit
V_O	Output voltage ⁽¹⁾	$I_O = 10\text{mA}$, $T_J = 25^\circ\text{C}$	1.237	1.25	1.263	V
		$I_O = 10\text{mA to }1.5\text{A}$, $V_I = 2.85\text{ to }30\text{V}$	1.225	1.25	1.275	V
ΔV_O	Line Regulation	$I_O = 10\text{mA}$, $V_I = 2.8\text{ to }16.5\text{V}$, $T_J = 25^\circ\text{C}$		0.015	0.2	%
		$I_O = 10\text{mA}$, $V_I = 2.8\text{ to }16.5\text{V}$		0.035	0.2	%
ΔV_O	Load Regulation	$I_O = 10\text{mA to }1.5\text{A}$, $T_J = 25^\circ\text{C}$		0.1	0.3	%
		$I_O = 0\text{ to }1.5\text{A}$		0.2	0.4	%
V_d	Dropout Voltage	$I_O = 1.5\text{A}$		1.3	1.5	V
$I_{O(\text{min})}$	Minimum Load Current	$V_I = 30\text{V}$		3	10	mA
I_{sc}	Short Circuit Current	$V_I - V_O = 5\text{V}$	1.5	2.3		A
		$V_I - V_O = 25\text{V}$	0.05	0.2		A
	Thermal Regulation	$T_A = 25^\circ\text{C}$, 30ms pulse		0.01	0.04	%/W
SVR	Supply Voltage Rejection	$f = 120\text{ Hz}$, $C_O = 25\ \mu\text{F}$, $C_{\text{ADJ}} = 25\ \mu\text{F}$, $I_O = 1.5\text{A}$, $V_I = 6.25 \pm 3\text{V}$	60	88		dB
I_{ADJ}	Adjust Pin Current	$V_I = 4.25\text{V}$, $I_O = 10\ \text{mA}$		40	120	μA
ΔI_{ADJ}	Adjust Pin Current Change ⁽¹⁾	$I_O = 10\text{mA to }1.5\text{A}$, $V_I = 2.8\text{ to }16.5\text{V}$		0.2	5	μA
eN	RMS Output Noise Voltage (% of V_O)	$T_A = 25^\circ\text{C}$, $f = 10\text{Hz to }10\text{kHz}$		0.003		%
S	Temperature Stability			0.5		%
S	Long Term Stability	$T_A = 125^\circ\text{C}$, 1000Hrs		0.5		%

1. See short-circuit current curve for available output current at fixed dropout.

Table 12. Electrical characteristics of LD1086DTTRY and LD1086VY (Automotive Grade)
 ($V_I = 4.25\text{ V}$, $C_I = C_O = 10\text{ }\mu\text{F}$, $T_A = -40\text{ to }125\text{ }^\circ\text{C}$, unless otherwise specified).

Symbol	Parameter	Test condition	Min.	Typ.	Max.	Unit
V_O	Output voltage ⁽¹⁾	$I_O = 10\text{ mA}$, $T_A = 25^\circ\text{C}$	1.237	1.25	1.263	V
		$I_O = 10\text{ mA}$ to 1.5 A , $V_I = 2.85\text{ to }30\text{ V}$	1.225	1.25	1.275	V
ΔV_O	Line regulation	$I_O = 10\text{ mA}$, $V_I = 2.8\text{ to }16.5\text{ V}$		0.035	0.2	%
ΔV_O	Load regulation	$I_O = 0\text{ to }1.5\text{ A}$		0.2	0.4	%
V_d	Dropout voltage	$I_O = 1.5\text{ A}$		1.3	1.5	V
$I_{O(\text{min})}$	Minimum load current	$V_I = 30\text{ V}$		3	10	mA
I_{sc}	Short circuit current	$V_I - V_O = 5\text{ V}$, $T_A = 25^\circ\text{C}$	1.5	2.3		A
		$V_I - V_O = 25\text{ V}$, $T_A = 25^\circ\text{C}$	0.05	0.2		A
	Thermal regulation	$T_A = 25^\circ\text{C}$, 30ms pulse		0.01	0.04	%/W
SVR	Supply voltage rejection	$f = 120\text{ Hz}$, $C_O = 25\text{ }\mu\text{F}$, $C_{\text{ADJ}} = 25\text{ }\mu\text{F}$, $I_O = 1.5\text{ A}$, $V_I = 6.25 \pm 3\text{ V}$, $T_A = 25^\circ\text{C}$	60	88		dB
I_{ADJ}	Adjust pin current	$V_I = 4.25\text{ V}$, $I_O = 10\text{ mA}$		40	120	μA
ΔI_{ADJ}	Adjust pin current change ⁽¹⁾	$I_O = 10\text{ mA}$ to 1.5 A , $V_I = 2.8\text{ to }16.5\text{ V}$		0.2	5	μA
eN	RMS output noise voltage (% of V_O)	$T_A = 25^\circ\text{C}$, $f = 10\text{ Hz to }10\text{ KHz}$		0.003		%
S	Temperature stability			0.5		%
S	Long term stability	$T_A = 125^\circ\text{C}$, 1000 Hrs		0.5		%

1. See short-circuit current curve for available output current at fixed dropout.

6 Typical application

(Unless otherwise specified $T_J = 25\text{ }^\circ\text{C}$, $C_I = C_O = 10\text{ }\mu\text{F}$)

Figure 4. Output voltage vs temperature

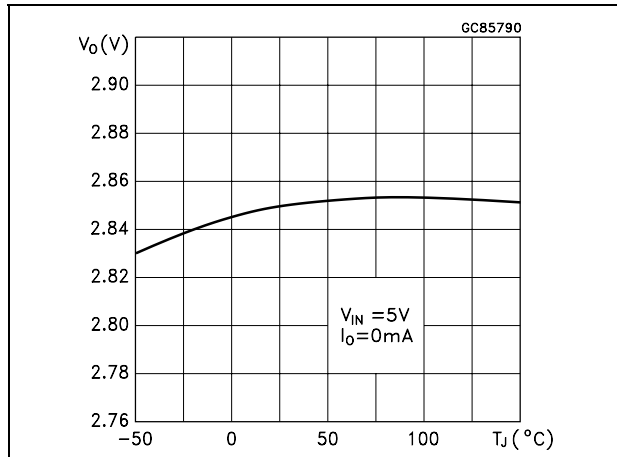


Figure 5. Output voltage vs temperature

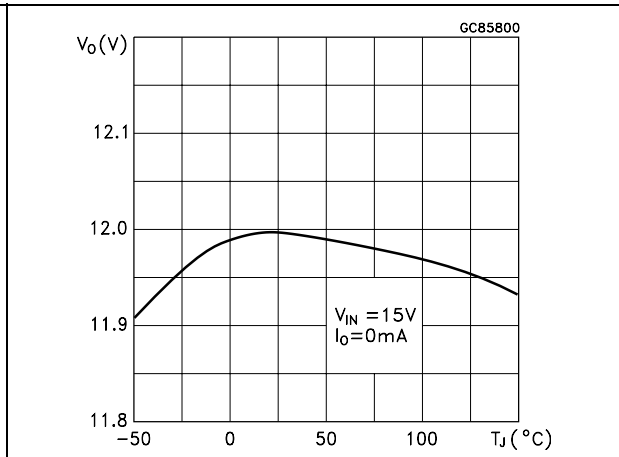


Figure 6. Output voltage vs temperature

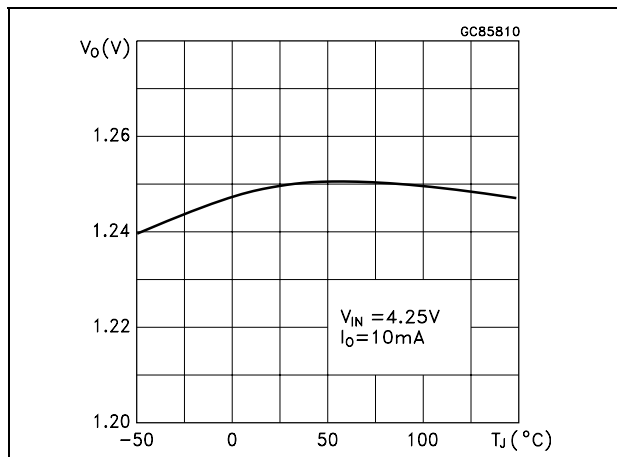


Figure 7. Short circuit current vs dropout voltage

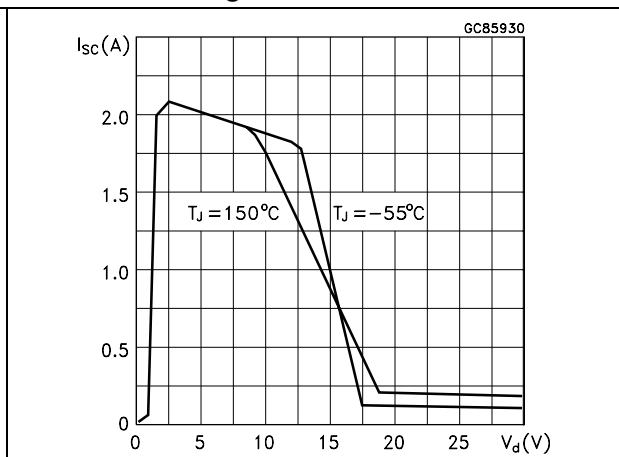


Figure 8. Line regulation vs temperature

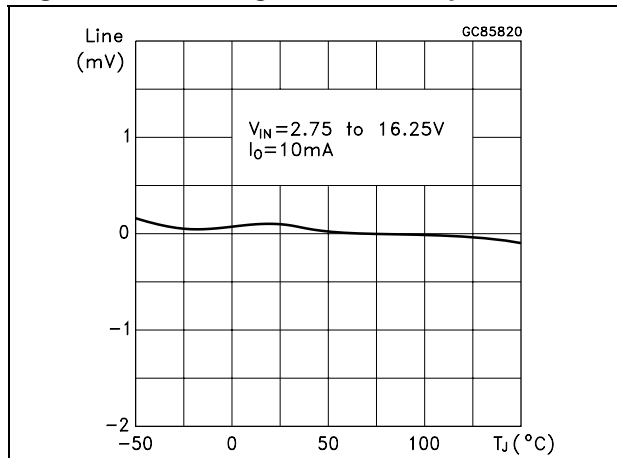


Figure 9. Load regulation vs temperature

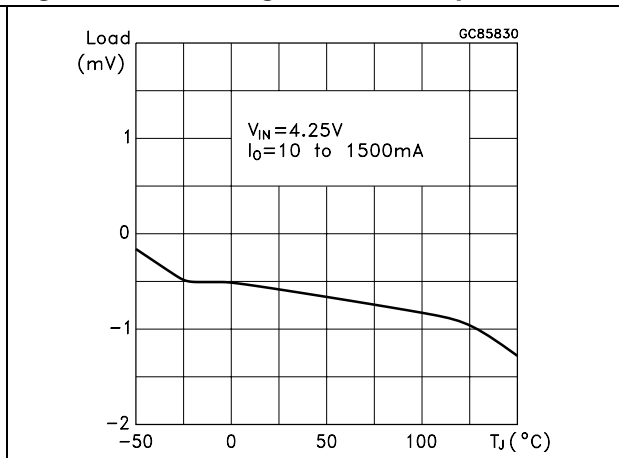


Figure 10. Dropout voltage vs temperature

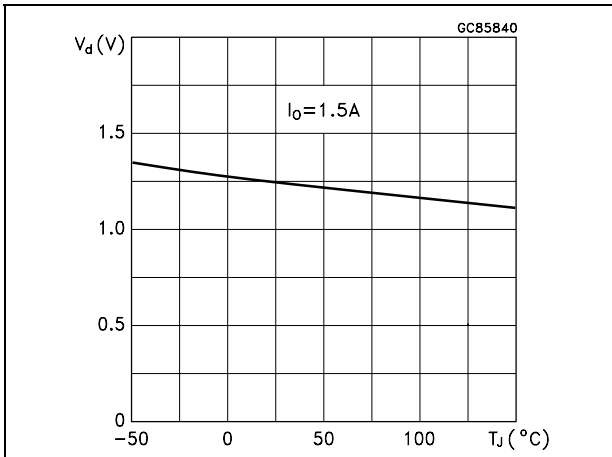


Figure 11. Dropout voltage vs output current

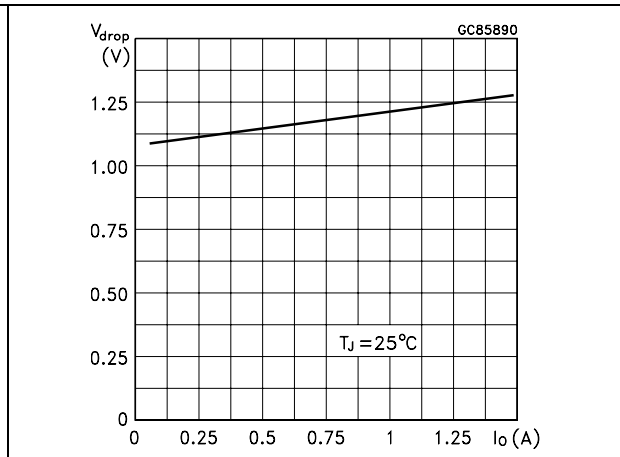


Figure 12. Adjust pin current vs input voltage

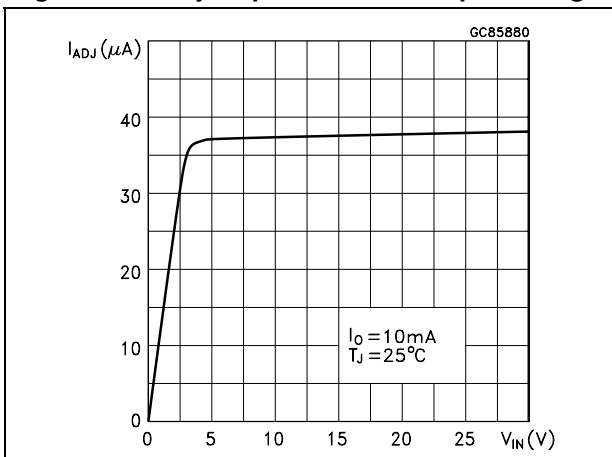


Figure 13. Adjust pin current vs temperature

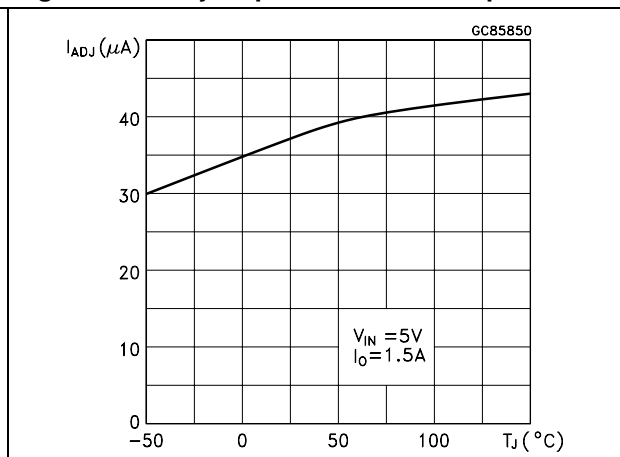


Figure 14. Adjust pin current vs output current

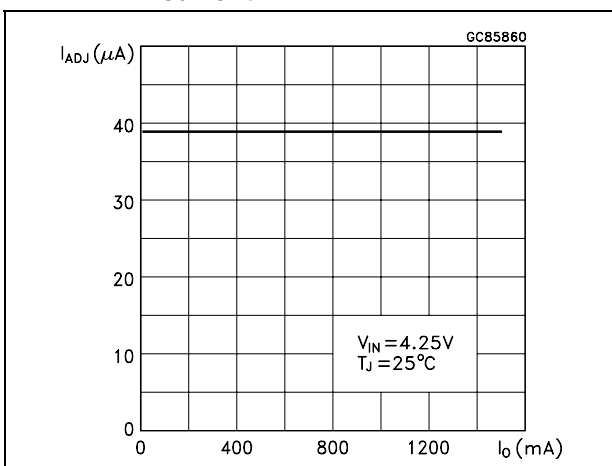


Figure 15. Quiescent current vs output current

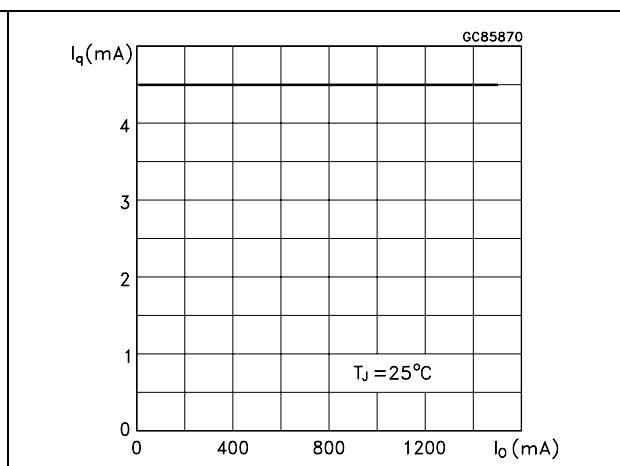


Figure 16. Quiescent current vs input voltage

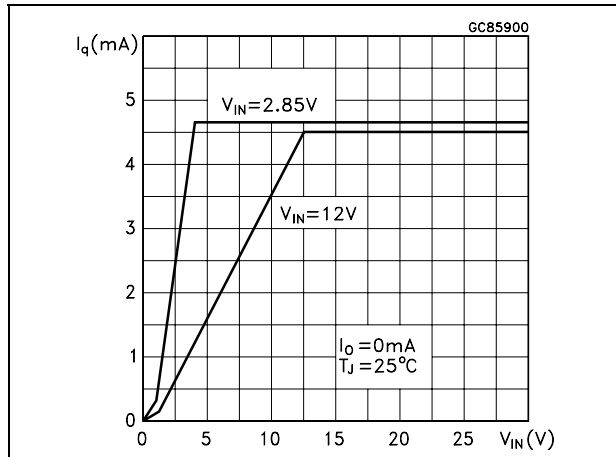


Figure 17. Supply voltage rejection vs output current

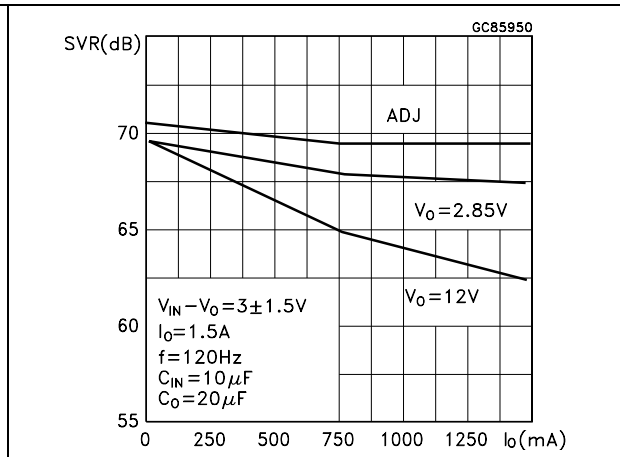


Figure 18. Supply voltage rejection vs frequency

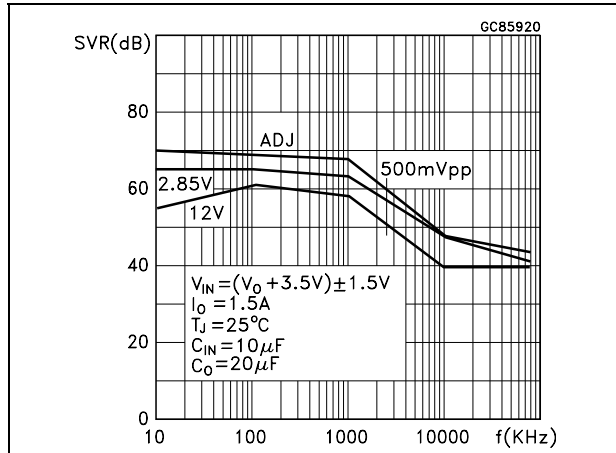


Figure 19. Supply voltage rejection vs temperature

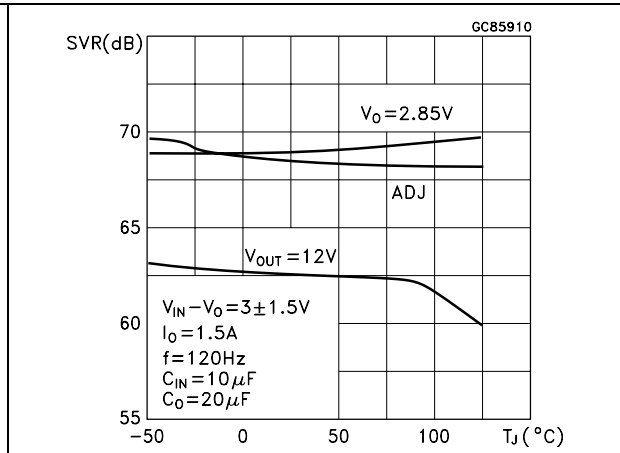


Figure 20. Minimum load current vs temperature

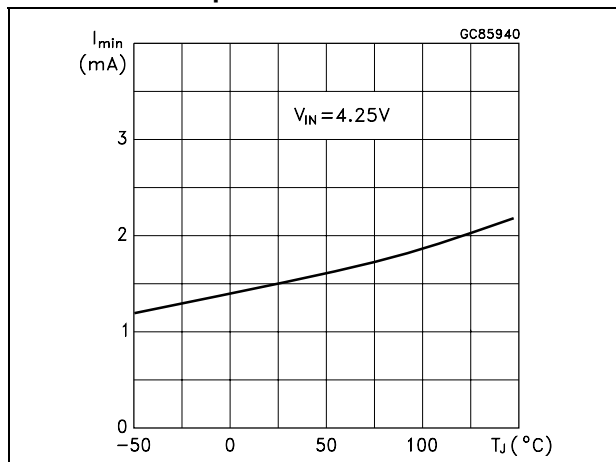


Figure 21. Stability for adjustable

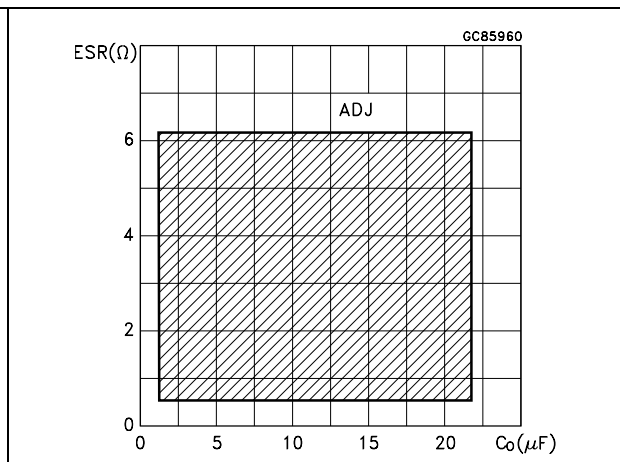


Figure 22. Stability for 2.85V

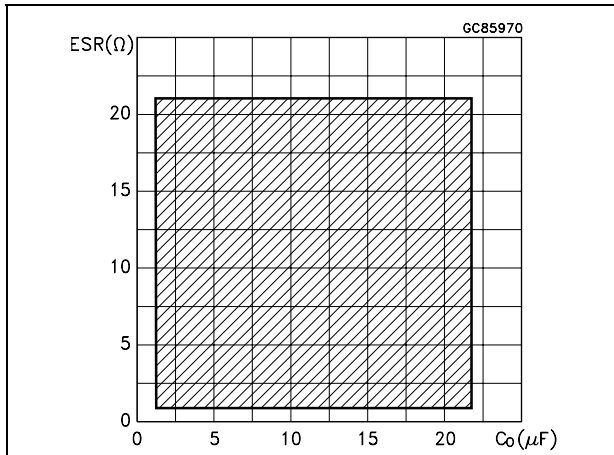


Figure 23. Stability for 12V

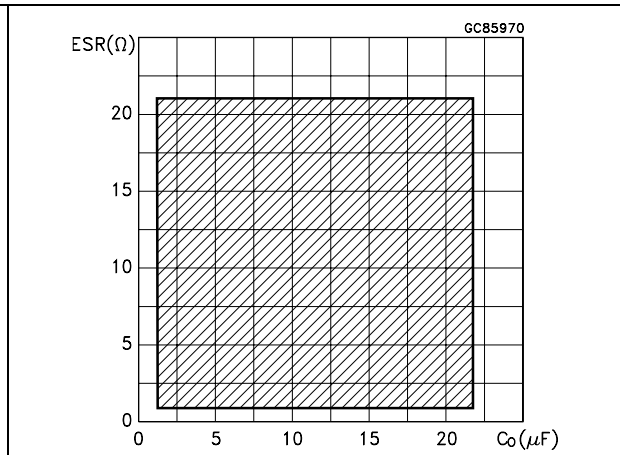


Figure 24. Line transient

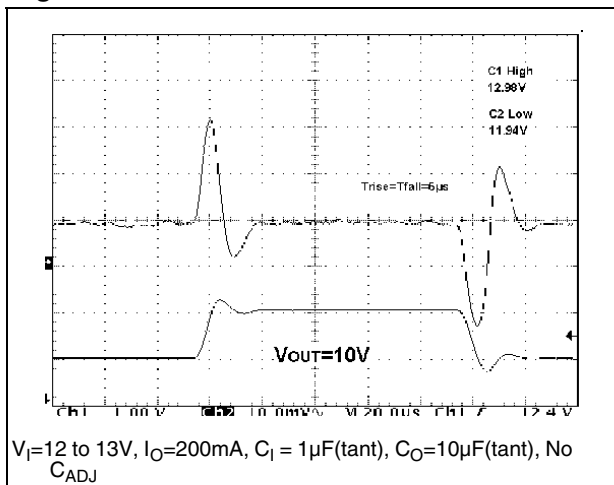


Figure 25. Line transient

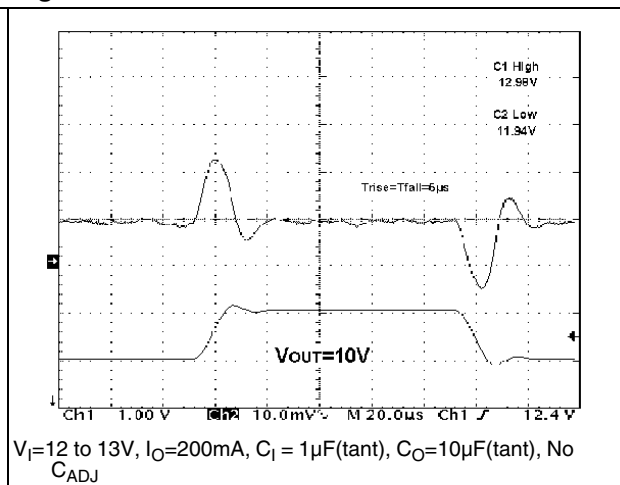


Figure 26. Line transient

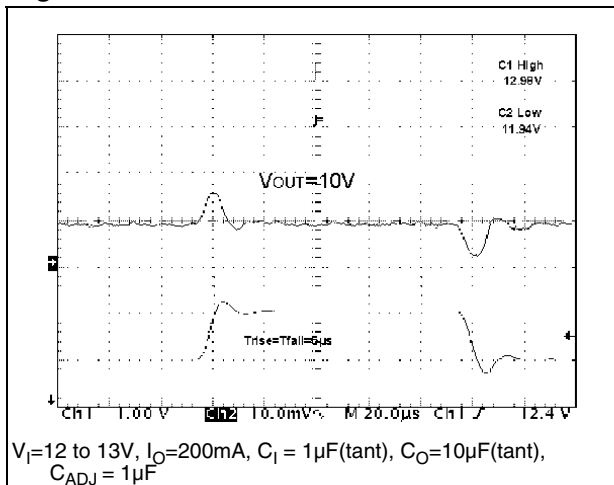


Figure 27. Load transient

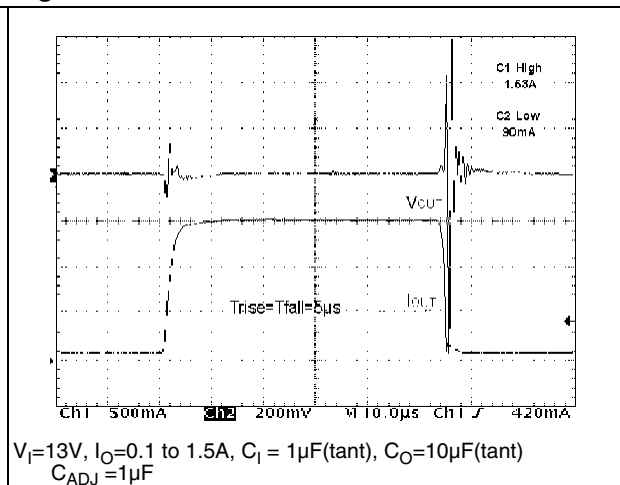


Figure 28. Load transient

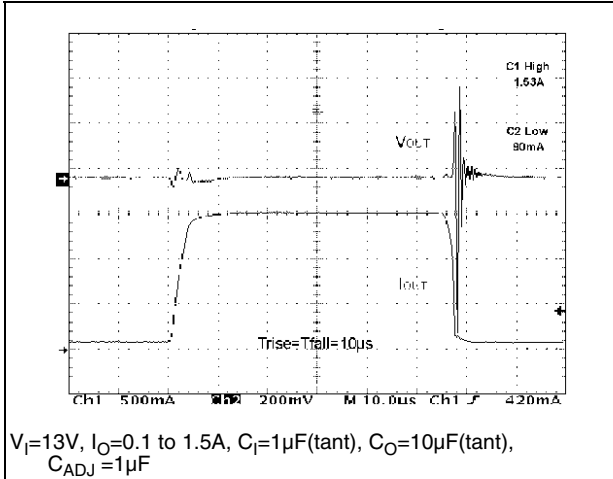
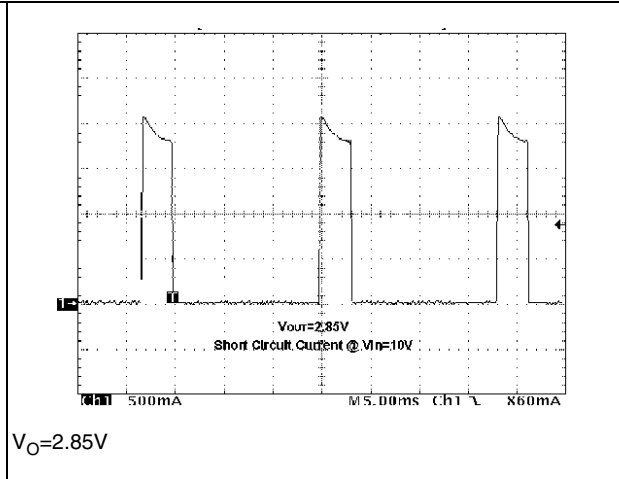


Figure 29. Thermal protection

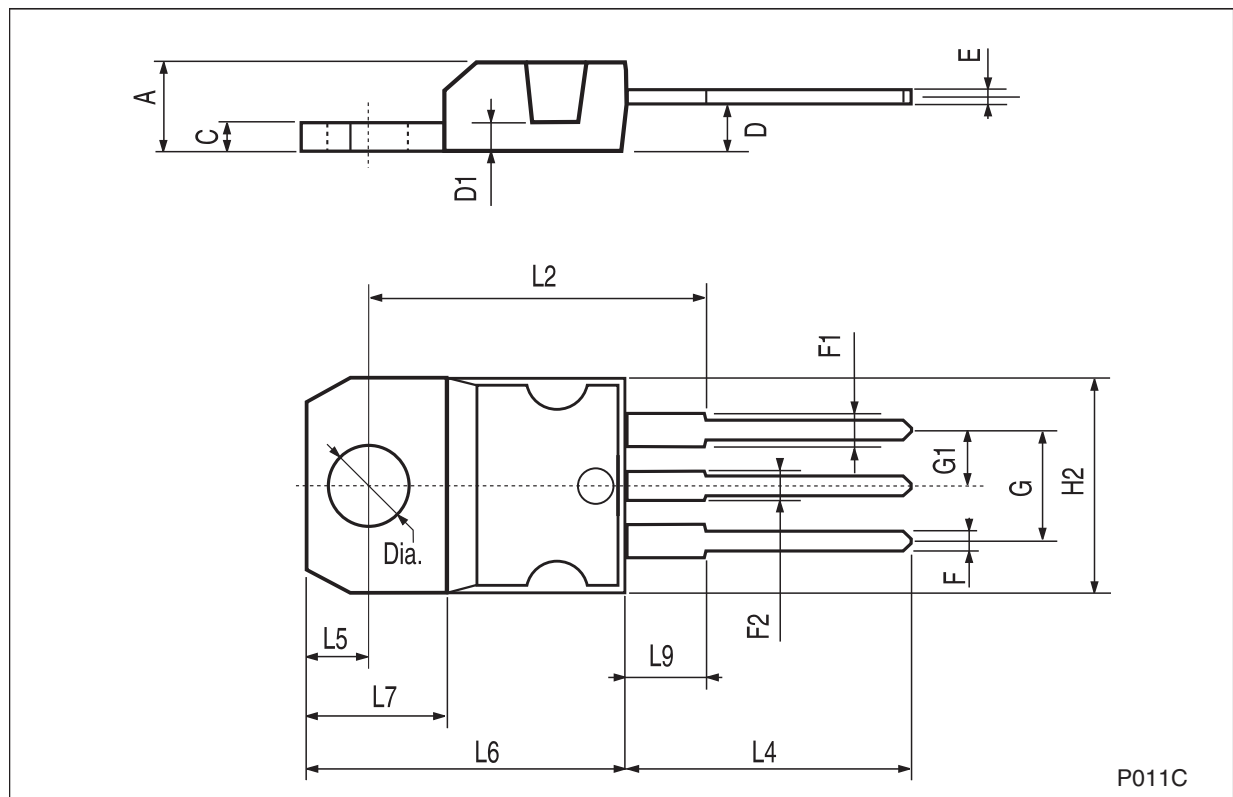


7 Package mechanical data

In order to meet environmental requirements, ST offers these devices in ECOPACK[®] packages. These packages have a lead-free second level interconnect. The category of second Level Interconnect is marked on the package and on the inner box label, in compliance with JEDEC Standard JESD97. The maximum ratings related to soldering conditions are also marked on the inner box label. ECOPACK is an ST trademark. ECOPACK specifications are available at: www.st.com.

TO-220 mechanical data

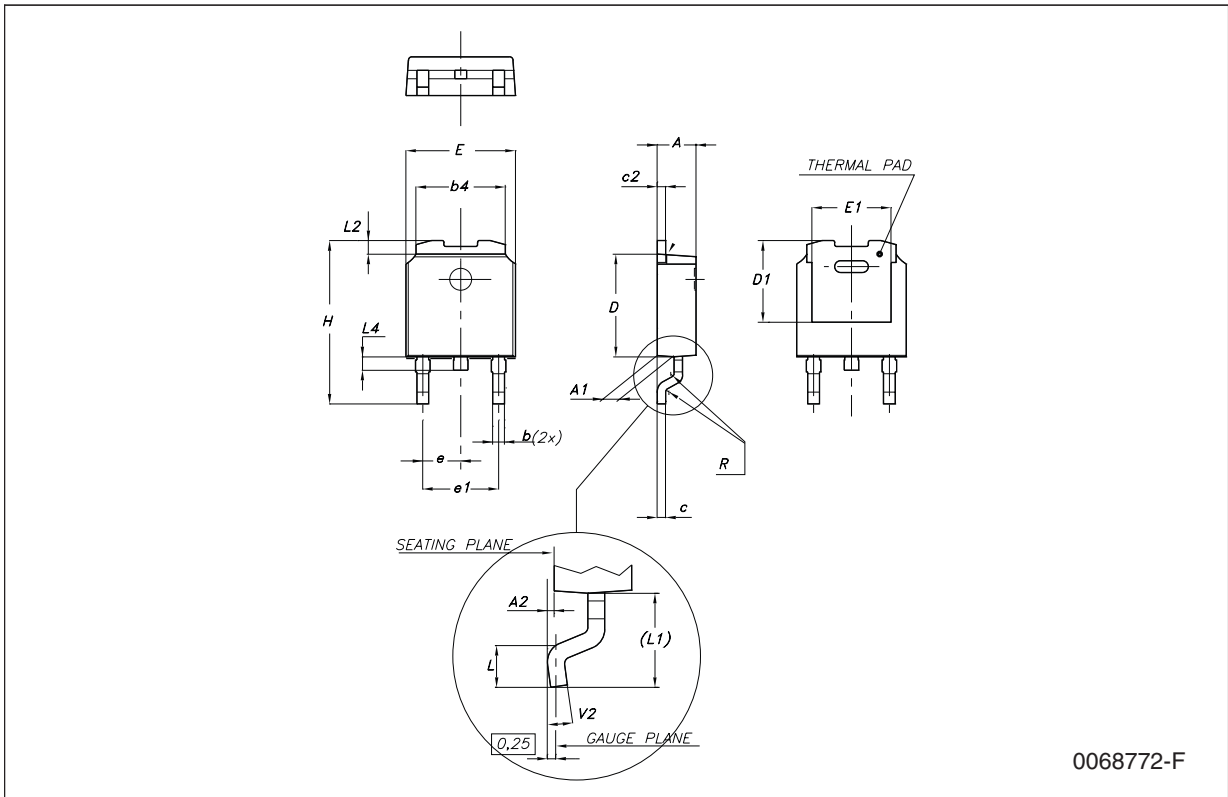
Dim.	mm.			inch.		
	Min.	Typ.	Max.	Min.	Typ.	Max.
A	4.40		4.60	0.173		0.181
C	1.23		1.32	0.048		0.051
D	2.40		2.72	0.094		0.107
D1		1.27			0.050	
E	0.49		0.70	0.019		0.027
F	0.61		0.88	0.024		0.034
F1	1.14		1.70	0.044		0.067
F2	1.14		1.70	0.044		0.067
G	4.95		5.15	0.194		0.203
G1	2.4		2.7	0.094		0.106
H2	10.0		10.40	0.393		0.409
L2		16.4			0.645	
L4	13.0		14.0	0.511		0.551
L5	2.65		2.95	0.104		0.116
L6	15.25		15.75	0.600		0.620
L7	6.2		6.6	0.244		0.260
L9	3.5		3.93	0.137		0.154
DIA.	3.75		3.85	0.147		0.151



P011C

DPAK mechanical data

Dim.	mm.			inch.		
	Min.	Typ.	Max.	Min.	Typ.	Max.
A	2.2		2.4	0.086		0.094
A1	0.9		1.1	0.035		0.043
A2	0.03		0.23	0.001		0.009
B	0.64		0.9	0.025		0.035
b4	5.2		5.4	0.204		0.212
C	0.45		0.6	0.017		0.023
C2	0.48		0.6	0.019		0.023
D	6		6.2	0.236		0.244
D1		5.1			0.200	
E	6.4		6.6	0.252		0.260
E1		4.7			0.185	
e		2.28			0.090	
e1	4.4		4.6	0.173		0.181
H	9.35		10.1	0.368		0.397
L	1			0.039		
(L1)		2.8			0.110	
L2		0.8			0.031	
L4	0.6		1	0.023		0.039
R		0.2			0.008	
V2	0°		8°	0°		8°



0068772-F

Figure 30. Drawing dimension D²PAK (type STD-ST)

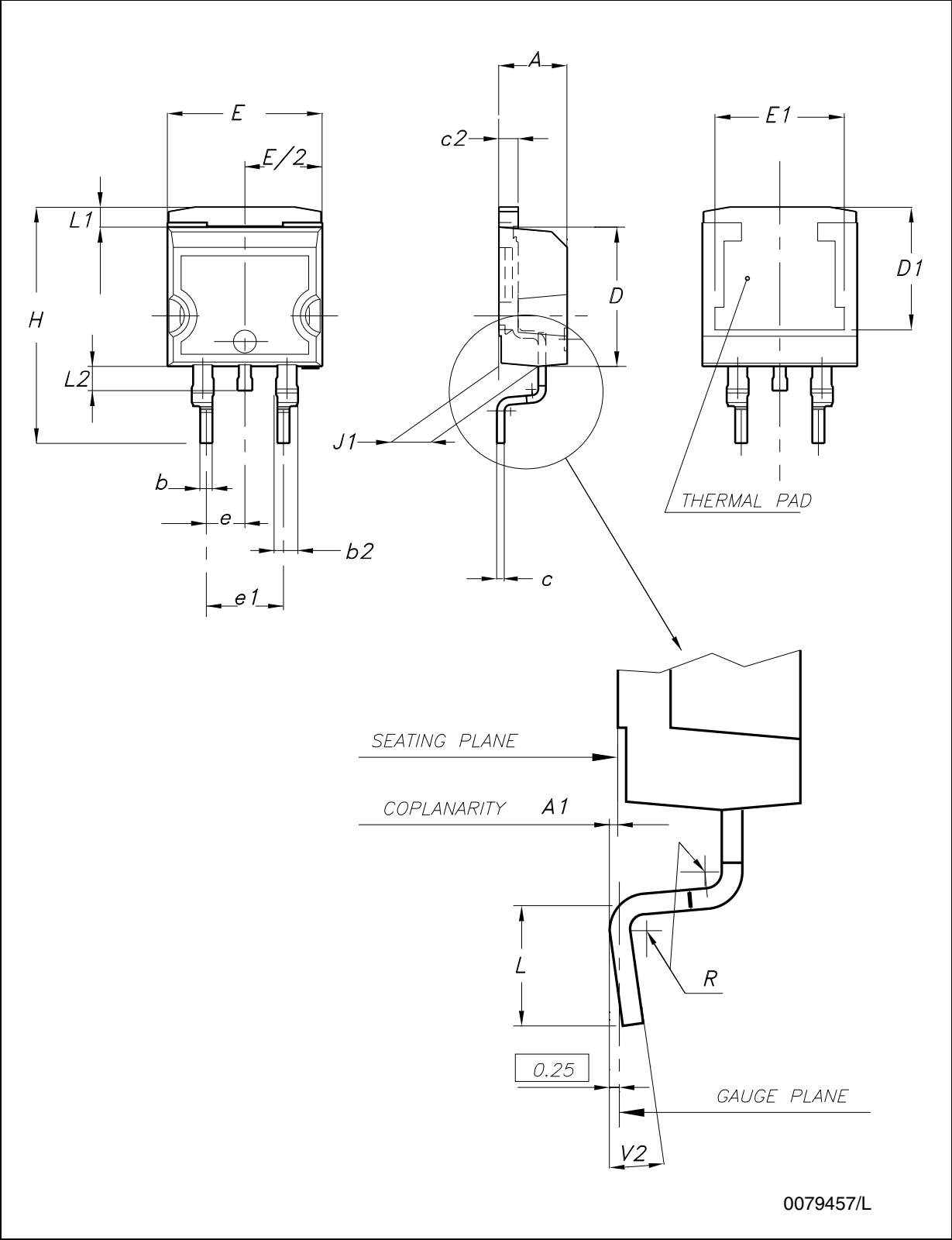


Figure 31. Drawing dimension D²PAK (type WOOSEOK-SUBCON.)

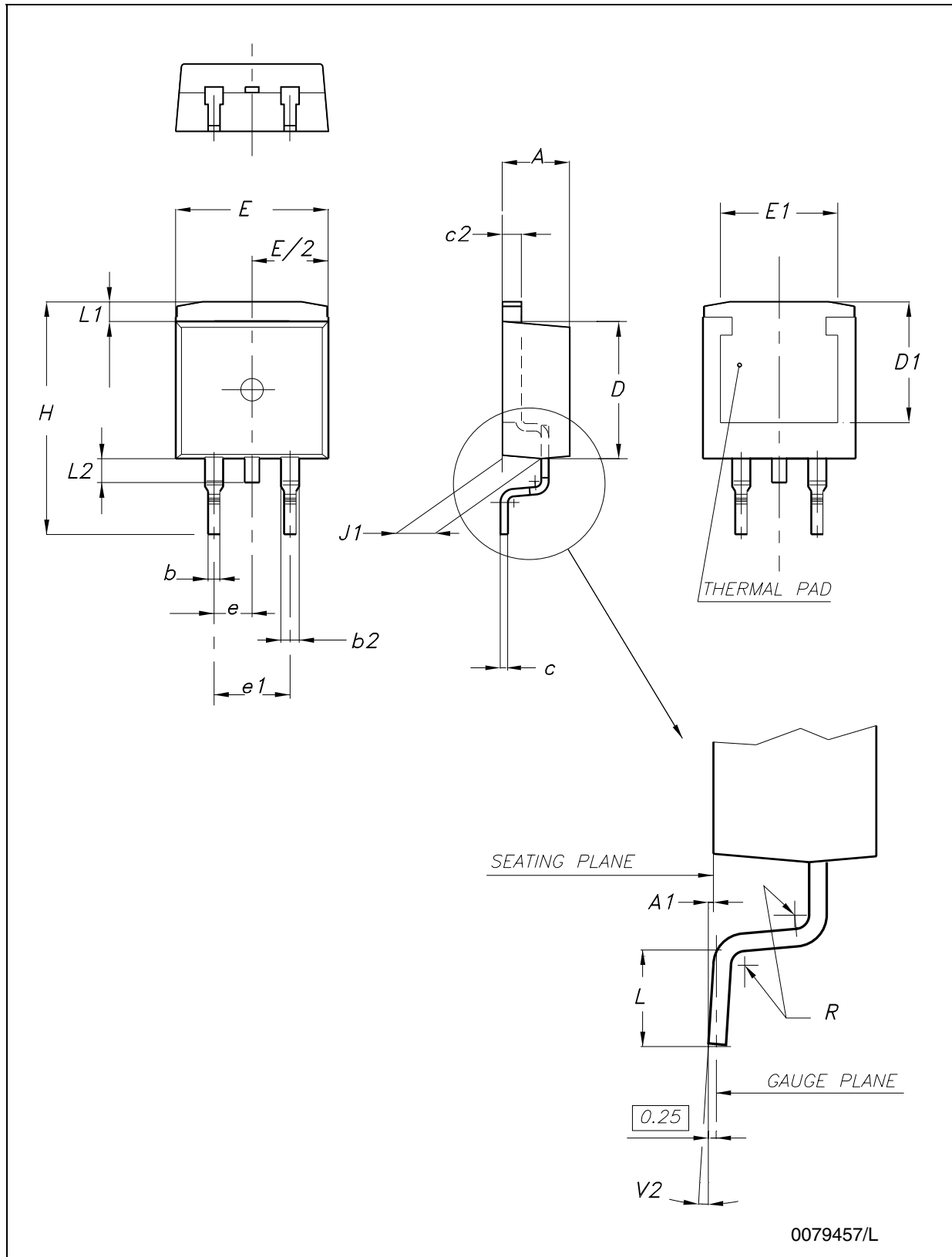


Table 13. D²PAK mechanical data

Dim.	Type STD-ST			Type WOOSEOK-SUBCON.		
	mm.			mm.		
	Min.	Typ.	Max.	Min.	Typ.	Max.
A	4.40		4.60	4.30		4.70
A1	0.03		0.23	0		0.20
b	0.70		0.93	0.70		0.90
b2	1.14		1.70	1.17		1.37
c	0.45		0.60	0.45	0.50	0.60
c2	1.23		1.36	1.25	1.30	1.40
D	8.95		9.35	9	9.20	9.40
D1	7.50			7.50		
E	10		10.40	9.80		10.20
E1	8.50			7.50		
e		2.54			2.54	
e1	4.88		5.28		5.08	
H	15		15.85	15	15.30	15.60
J1	2.49		2.69	2.20		2.60
L	2.29		2.79	1.79		2.79
L1	1.27		1.40	1		1.40
L2	1.30		1.75	1.20		1.60
R		0.4			0.30	
V2	0°		8°	0°		3°

Note: The D²PAK package coming from the subcontractor Wooseok is fully compatible with the ST's package suggested footprint.

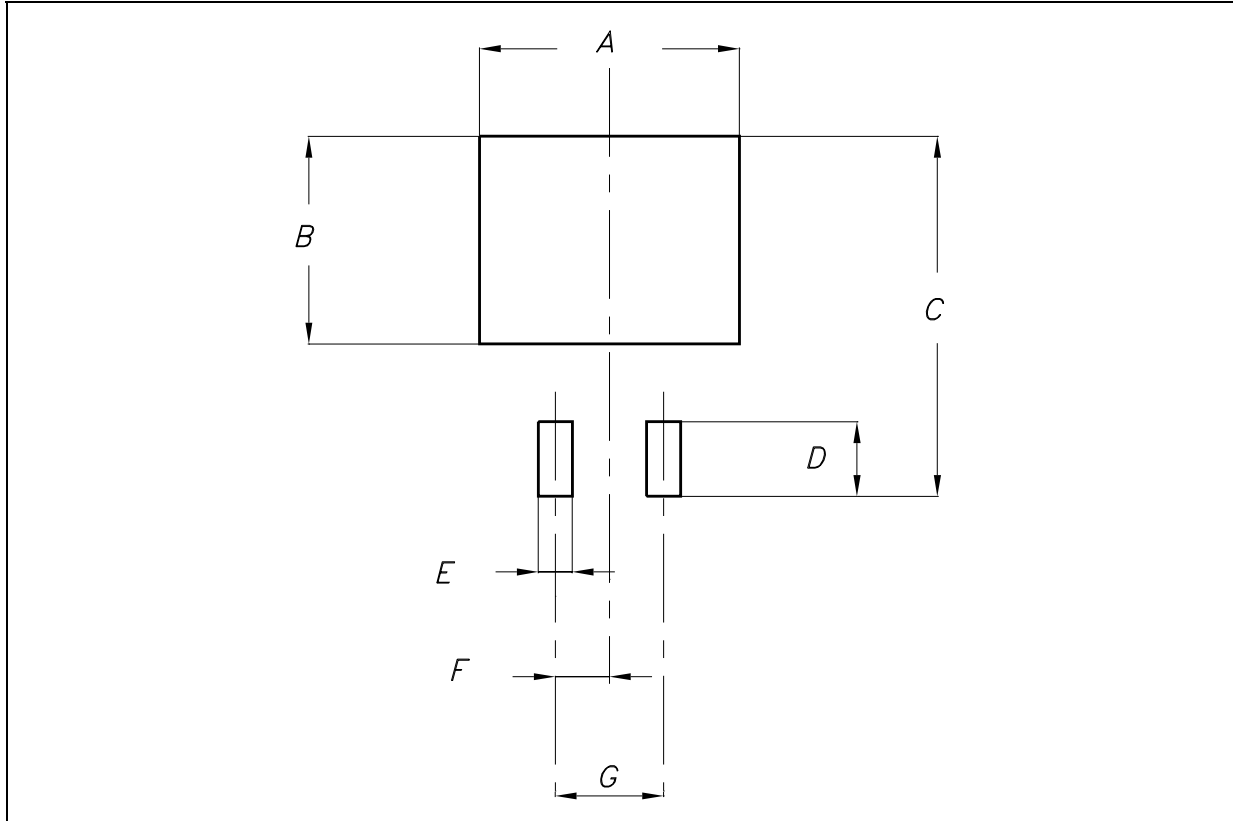
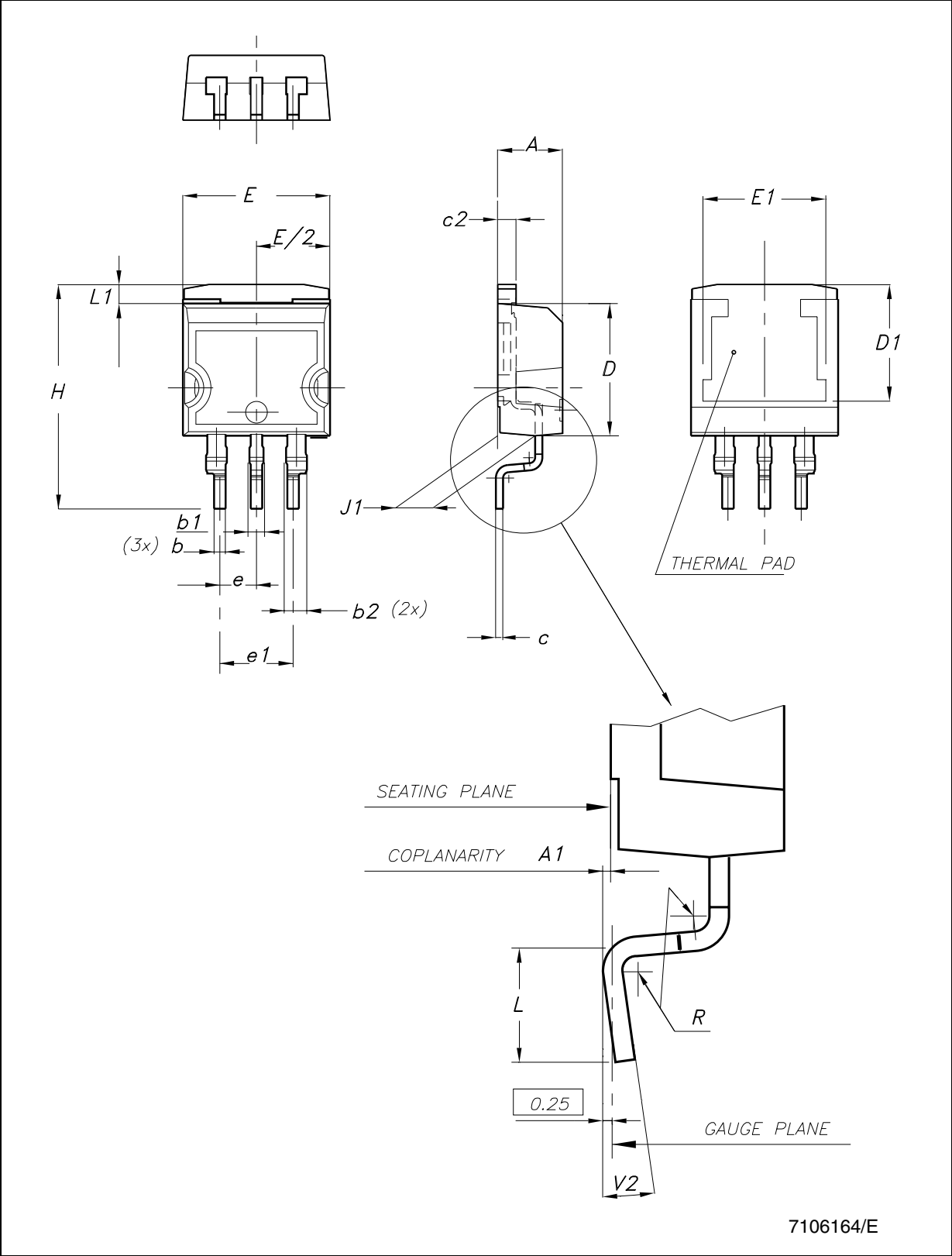
Figure 32. D²PAK footprint recommended data

Table 14. Footprint data

	Values	
	mm.	inch.
A	12.20	0.480
B	9.75	0.384
C	16.90	0.665
D	3.50	0.138
E	1.60	0.063
F	2.54	0.100
G	5.08	0.200

Figure 33. Drawing dimension D²PAK/A (type STD-ST)



7106164/E

Figure 34. Drawing dimension D²PAK/A (type WOOSEOK-Subcon.)

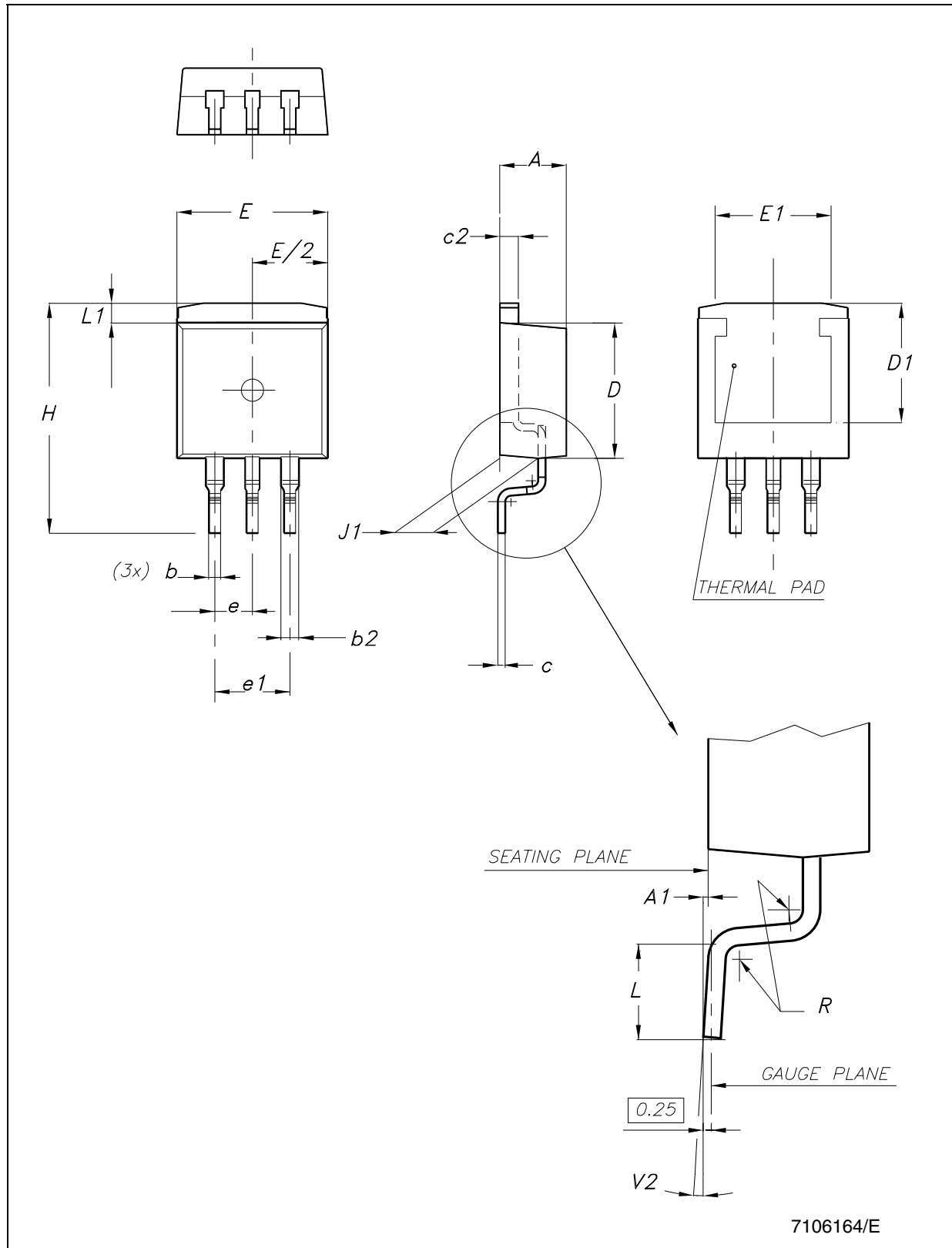


Table 15. D²PAK/A mechanical data

Dim.	Type STD-ST			Type WOOSEOK-Subcon.		
	mm.			mm.		
	Min.	Typ.	Max.	Min.	Typ.	Max.
A	4.40		4.60	4.30		4.70
A1	0.03		0.23	0		0.20
b	0.70		0.93	0.70		0.90
b1	0.80		1.30			
b2	1.14		1.70	1.17		1.37
c	0.45		0.60	0.45	0.50	0.60
c2	1.23		1.36	1.25	1.30	1.40
D	8.95		9.35	9	9.20	9.40
D1	7.50			7.50		
E	10		10.40	9.80		10.20
E1	8.50			7.50		
e		2.54			2.54	
e1	4.88		5.28		5.08	
H	15		15.85	15	15.30	15.60
J1	2.49		2.69	2.20		2.60
L	2.29		2.79	1.79		2.79
L1	1.27		1.40	1		1.40
R		0.4			0.30	
V2	0°		8°	0°		3°

Note: The D²PAK/A package coming from the subcontractor Wooseok is fully compatible with the ST's package suggested footprint.

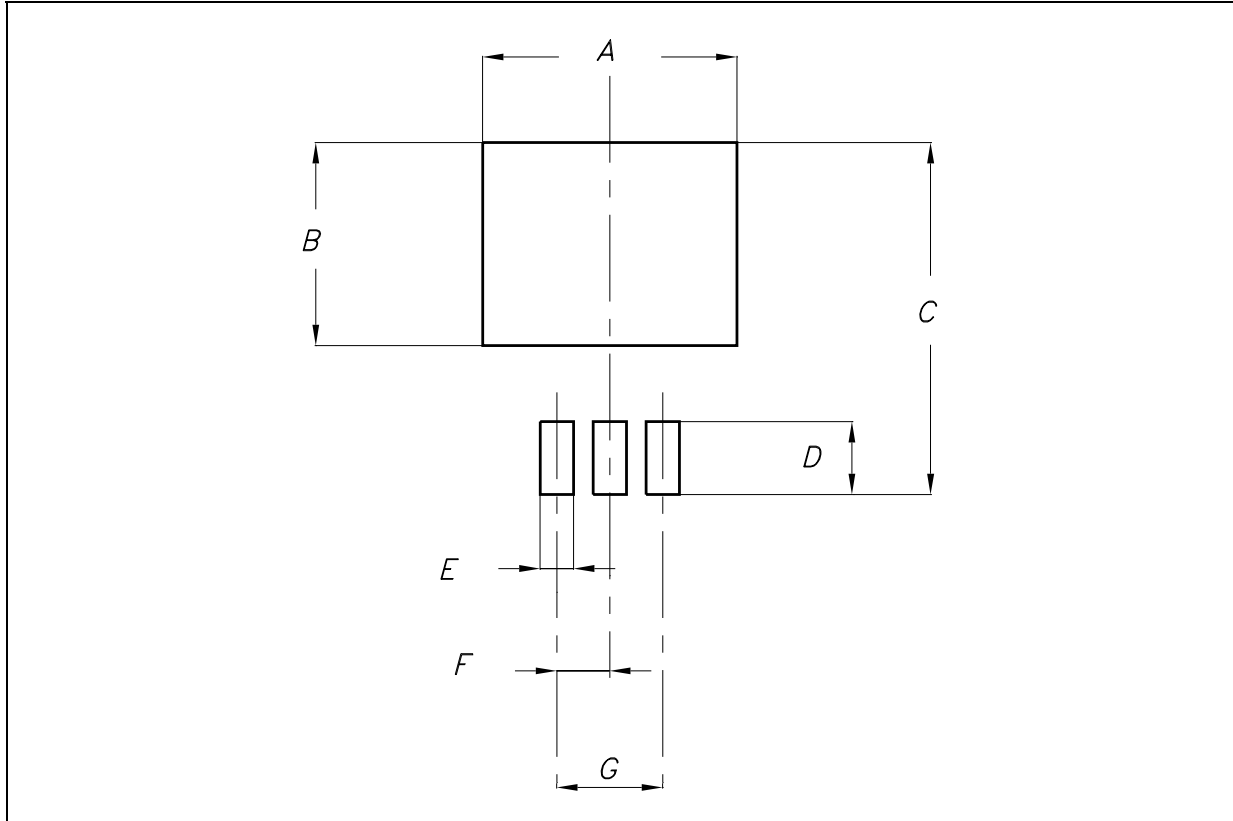
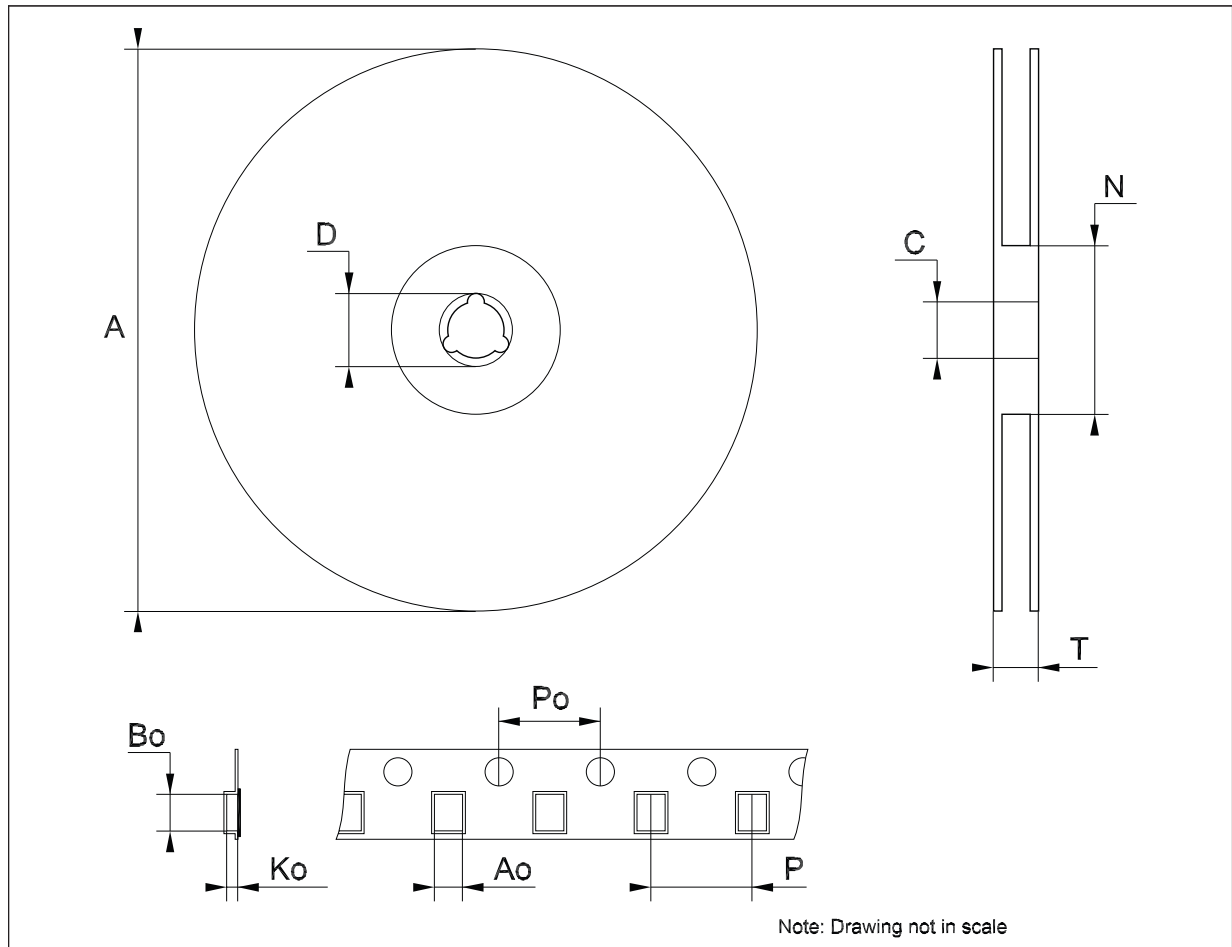
Figure 35. D²PAK/A footprint recommended data

Table 16. Footprint data

	Values	
	mm.	inch.
A	12.20	0.480
B	9.75	0.384
C	16.90	0.665
D	3.50	0.138
E	1.60	0.063
F	2.54	0.100
G	5.08	0.200

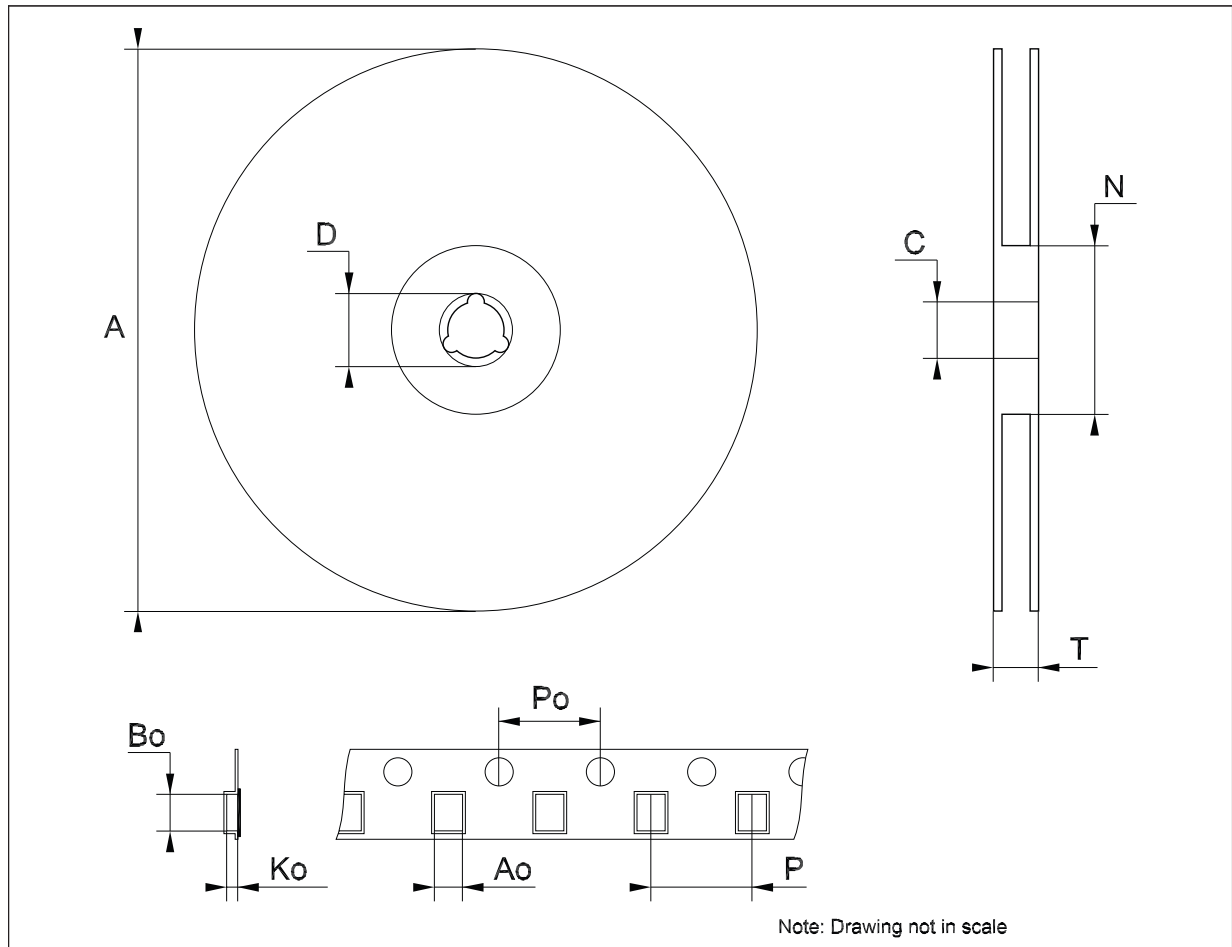
Tape & reel DPAK-PPAK mechanical data

Dim.	mm.			inch.		
	Min.	Typ.	Max.	Min.	Typ.	Max.
A			330			12.992
C	12.8	13.0	13.2	0.504	0.512	0.519
D	20.2			0.795		
N	60			2.362		
T			22.4			0.882
Ao	6.80	6.90	7.00	0.268	0.272	0.276
Bo	10.40	10.50	10.60	0.409	0.413	0.417
Ko	2.55	2.65	2.75	0.100	0.104	0.105
Po	3.9	4.0	4.1	0.153	0.157	0.161
P	7.9	8.0	8.1	0.311	0.315	0.319



Tape & reel D²PAK-P²PAK-D²PAK/A-P²PAK/A mechanical data

Dim.	mm.			inch.		
	Min.	Typ.	Max.	Min.	Typ.	Max.
A			180			7.086
C	12.8	13.0	13.2	0.504	0.512	0.519
D	20.2			0.795		
N	60			2.362		
T			14.4			0.567
Ao	10.50	10.6	10.70	0.413	0.417	0.421
Bo	15.70	15.80	15.90	0.618	0.622	0.626
Ko	4.80	4.90	5.00	0.189	0.193	0.197
Po	3.9	4.0	4.1	0.153	0.157	0.161
P	11.9	12.0	12.1	0.468	0.472	0.476



8 Order codes

Table 17. Order codes

Packages				
TO-220	D ² PAK	D ² PAK/A	DPAK	Output voltage
	LD1086D2T15R		LD1086DT15R	1.5 V
LD1086V18	LD1086D2T18TR		LD1086DT18TR	1.8 V
	LD1086D2T25TR		LD1086DT25TR	2.5 V
LD1086V33	LD1086D2T33TR	LD1086D2M33TR	LD1086DT33TR	3.3 V
	LD1086D2T50TR		LD1086DT50TR	5.0 V
	LD1086D2T12TR			12.0 V
LD1086V	LD1086D2TTR	LD1086D2MTR	LD1086DTTR	ADJ
LD1086VY ⁽¹⁾			LD1086DTTRY ⁽¹⁾	ADJ

1. Automotive Grade products.

9 Revision history

Table 18. Document revision history

Date	Revision	Changes
25-Aug-2004	11	Mistake V_O (typ.), table 9 - pag. 6.
07-Oct-2004	12	Mistake order codes - Table 1.
08-Feb-2005	13	Mistake U.M. Load regulation - V ==> mV.
16-May-2006	14	Order codes updated and new template.
19-Jan-2007	15	D ² PAK mechanical data updated and add footprint data.
05-Apr-2007	16	Order codes updated.
07-Jun-2007	17	Order codes updated.
19-Jul-2007	18	Add note on Figure 2 .
03-Dec-2007	19	Modified: Table 17 .
31-Jan-2008	20	Added new order codes for Automotive grade products.
18-Feb-2008	21	Modified: Table 17 on page 36 .
14-Jul-2008	22	Modified: Table 1 on page 1 and Table 17 on page 36 .

Please Read Carefully:

Information in this document is provided solely in connection with ST products. STMicroelectronics NV and its subsidiaries ("ST") reserve the right to make changes, corrections, modifications or improvements, to this document, and the products and services described herein at any time, without notice.

All ST products are sold pursuant to ST's terms and conditions of sale.

Purchasers are solely responsible for the choice, selection and use of the ST products and services described herein, and ST assumes no liability whatsoever relating to the choice, selection or use of the ST products and services described herein.

No license, express or implied, by estoppel or otherwise, to any intellectual property rights is granted under this document. If any part of this document refers to any third party products or services it shall not be deemed a license grant by ST for the use of such third party products or services, or any intellectual property contained therein or considered as a warranty covering the use in any manner whatsoever of such third party products or services or any intellectual property contained therein.

UNLESS OTHERWISE SET FORTH IN ST'S TERMS AND CONDITIONS OF SALE ST DISCLAIMS ANY EXPRESS OR IMPLIED WARRANTY WITH RESPECT TO THE USE AND/OR SALE OF ST PRODUCTS INCLUDING WITHOUT LIMITATION IMPLIED WARRANTIES OF MERCHANTABILITY, FITNESS FOR A PARTICULAR PURPOSE (AND THEIR EQUIVALENTS UNDER THE LAWS OF ANY JURISDICTION), OR INFRINGEMENT OF ANY PATENT, COPYRIGHT OR OTHER INTELLECTUAL PROPERTY RIGHT.

UNLESS EXPRESSLY APPROVED IN WRITING BY AN AUTHORIZED ST REPRESENTATIVE, ST PRODUCTS ARE NOT RECOMMENDED, AUTHORIZED OR WARRANTED FOR USE IN MILITARY, AIR CRAFT, SPACE, LIFE SAVING, OR LIFE SUSTAINING APPLICATIONS, NOR IN PRODUCTS OR SYSTEMS WHERE FAILURE OR MALFUNCTION MAY RESULT IN PERSONAL INJURY, DEATH, OR SEVERE PROPERTY OR ENVIRONMENTAL DAMAGE. ST PRODUCTS WHICH ARE NOT SPECIFIED AS "AUTOMOTIVE GRADE" MAY ONLY BE USED IN AUTOMOTIVE APPLICATIONS AT USER'S OWN RISK.

Resale of ST products with provisions different from the statements and/or technical features set forth in this document shall immediately void any warranty granted by ST for the ST product or service described herein and shall not create or extend in any manner whatsoever, any liability of ST.

ST and the ST logo are trademarks or registered trademarks of ST in various countries.

Information in this document supersedes and replaces all information previously supplied.

The ST logo is a registered trademark of STMicroelectronics. All other names are the property of their respective owners.

© 2008 STMicroelectronics - All rights reserved

STMicroelectronics group of companies

Australia - Belgium - Brazil - Canada - China - Czech Republic - Finland - France - Germany - Hong Kong - India - Israel - Italy - Japan - Malaysia - Malta - Morocco - Singapore - Spain - Sweden - Switzerland - United Kingdom - United States of America

www.st.com